



Creating Connections | Powering Possibilities

TITLE:
Nylon Cable Ties

Part Codes

SFX/ACC-TIE-NYL

Features

- Built-in locking mechanism to prevent unintended removal
- Possesses flame-retardant properties
- Facilitates easy threading
- Colour options to match cable



TITLE:
Stainless Steel Cable Ties

Part Code

SFX/ACC-TIE-FIRE

Features

- Flame retardant for enhanced safety
- Exhibits high tensile strength for reliability
- Self-locking design ensures secure fastening
- Suitable for indoor and outdoor use
- Non-releasable rollerball locking mechanism for secure fitting
- Highly durable with outstanding chemical resistance



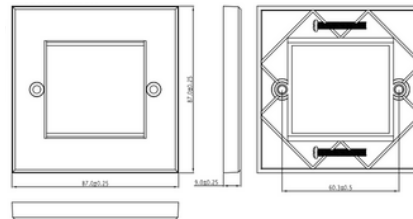
TITLE:
Single Gang Faceplate

Part Codes

SFX/ACC-C5-6-1XFP

Features

- Holds up to 2 x modules
- White thermoplastic material
- Dimensions: 86mm x 86mm



TITLE:
Double Gang Faceplate

Part Codes

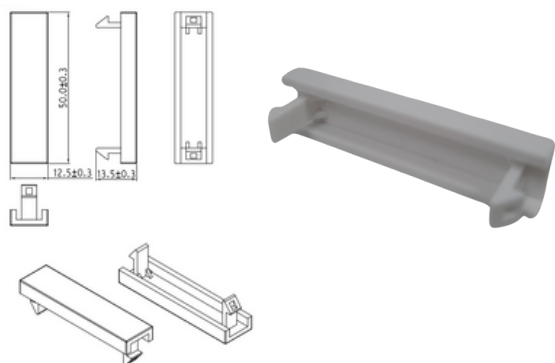
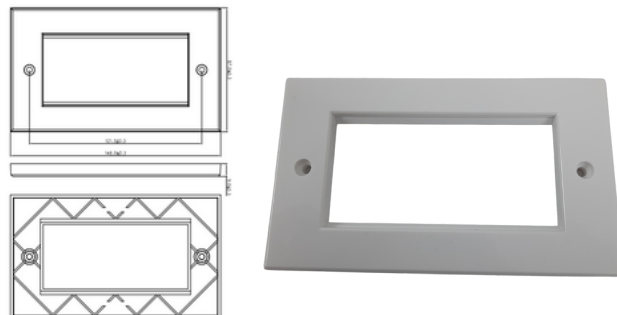
SFX/ACC-C5-6-2XFP

Features

Holds up to 4 x modules

White thermoplastic material

Dimensions: 86mm x 146mm



TITLE:
Quarter Blank Plate

Part Code

SFX/ACC-C5-6-FP-QUARTER-BLNK-WHT

Features

Compatible with Securi-Flex® faceplates

White thermoplastic material

Dimensions: 12.5mm x 50mm

TITLE:
Half Blank Plate

Part Codes

SFX/ACC-C5-6-FP-HALF-BLNK-WHT

Features

Compatible with Securi-Flex® faceplates

White thermoplastic material

Dimensions: 25mm x 50mm

