

TITLE:

Cat8.1 Termination Plug - Shielded

Part Codes

SFX/ACC-PLUG-C8.1-SHLD

Features

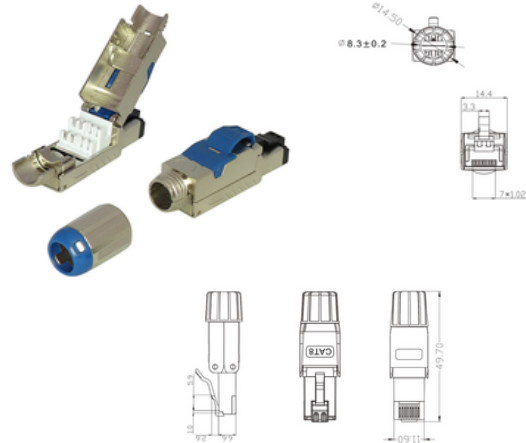
Suitable for use with a wide range of cable diameter and core sizes; 7.0-8.5mm cable OD, 23-26 AWG cores

Requires no special tools for installation

Robust, fully shielded Cat8 plug with zinc alloy housing offering quick and reliable termination

Compatible with solid and stranded cables

Dimensions: 66mm x 14mm x 18mm



TITLE:

Cat 8.1 Keystone Socket - Shielded

Part Code

SFX/ACC-C8.1-JACK-KEYST-SHLD

Features

Transmission performance in compliance with the ANSI/TIA 568-C.2-1 specifications for Category 8 cabling systems (i. e. suitable for runs of 5 – 30 metres)

Compliant with IEC60512-99-001 – suitable for use with IEEE 802.3at (PoE+) applications

Provides quick and easy tool-less lever “butterfly style” termination

Suitable for 0.51 – 0.65 mm/ 22 – 24 AWG stranded and solid wire

Compatible with a wide range of panels, adaptors and faceplates

Dimensions: 42mm x 22mm x 16mm

