



Creating Connections | Powering Possibilities

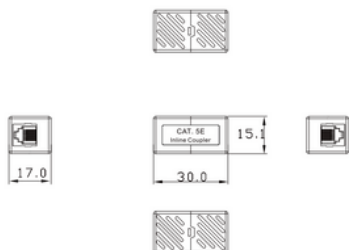
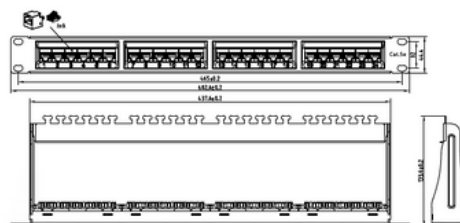
**TITLE:**  
Cat5e Patch Panel - Unshielded

**Part Code**

SFX/ACC-WC-PP-C5-24-1U

**Features**

- 24 Port Patch Panel
- Suitable for 450mm and 560mm deep wall cabinets
- 1.2mm cool rolled steel
- TIA/EIA Category 5 standard compatible
- Powder coat Black RAL 9005 finish
- Dimensions: 482mm x 134mm x 44mm



**TITLE:**  
Cat5e Through Coupler

**Part Code**

SFX/ACC-RJ45-C5-CPL

**Features**

- For use with Cat5e RJ45 crimp plugs
- Maintains Cat5e performance with straight through connection
- Dimensions: 30mm x 17mm

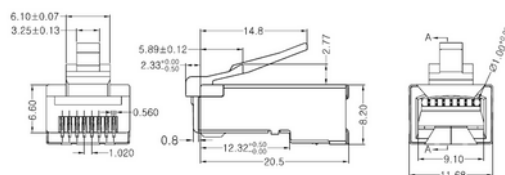
**TITLE:**  
Cat5e - Unshielded RJ45 Crimps

**Part Code**

SFX/ACC-RJ45-C5

**Features**

- Suitable for stranded patch and solid core terminations
- Single piece construction
- Cat5e performance
- Dimensions: 22mm x 20mm x 12mm





Creating Connections | Powering Possibilities

**TITLE:**  
Cat5e - Shielded RJ45 Crimps

**Part Code**

SFX/ACC-RJ45-C5-SCR

**Features**

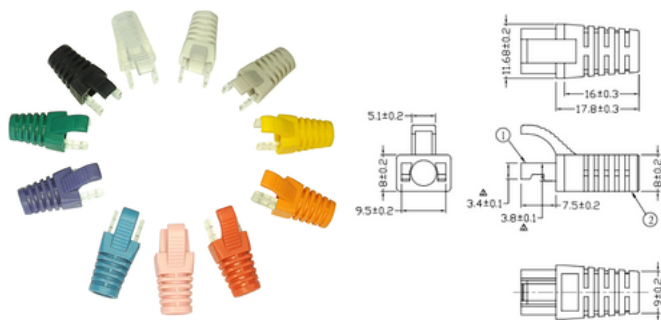
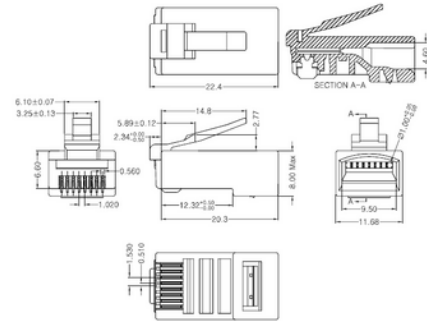
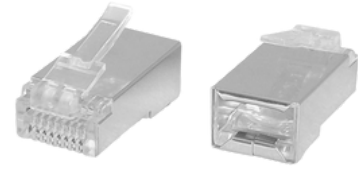
Suitable for stranded patch and solid core terminations

Single piece construction

Cat5e performance

EMI resistant

Dimensions: 22mm x 20mm x 12mm



**TITLE:**  
Cat5e Strain Relief Boots

**Part Code**

SFX/ACC-SRB-C5

**Features**

Guards against broken connector tabs and snagging

Compatible with industry standard RJ45 connectors

Suitable for Cat5e overall diameter: 5.0mm - 5.8mm

Colour options to match cable

